



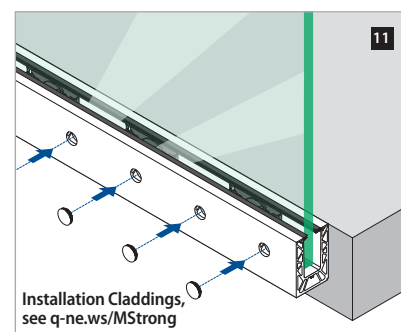
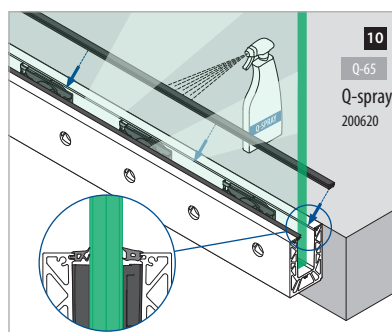
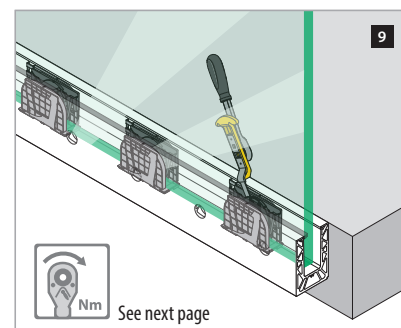
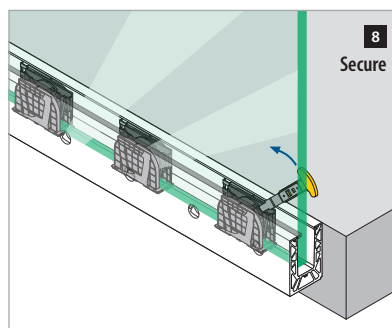
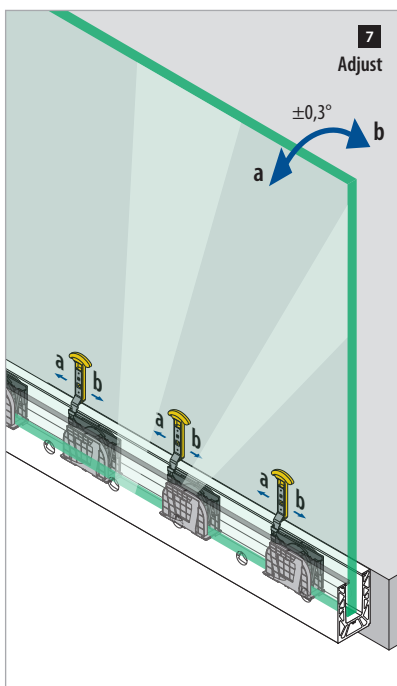
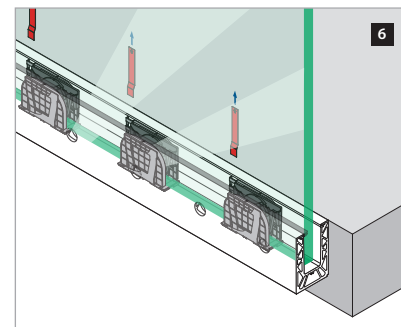
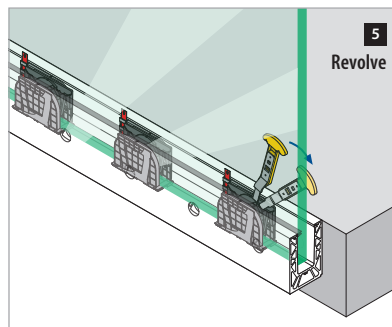
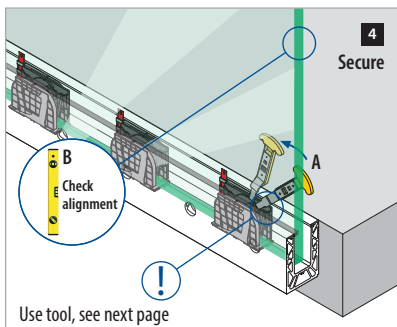
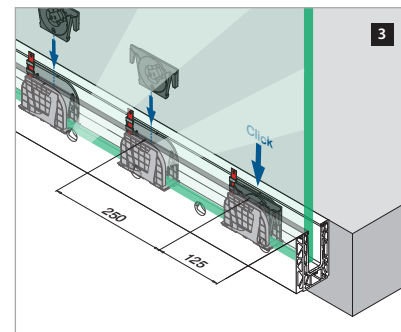
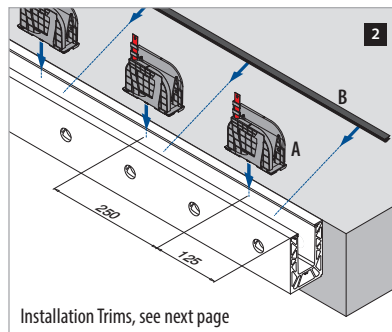
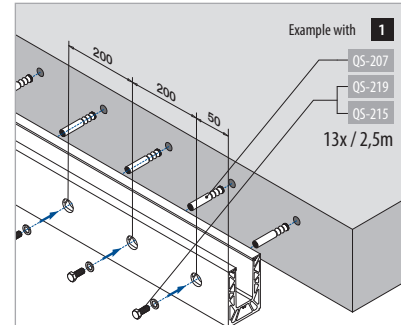
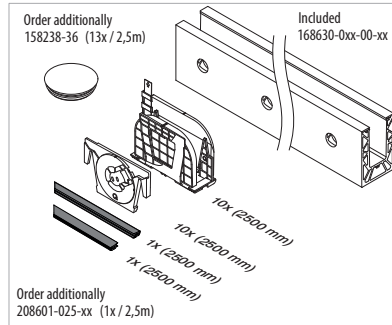
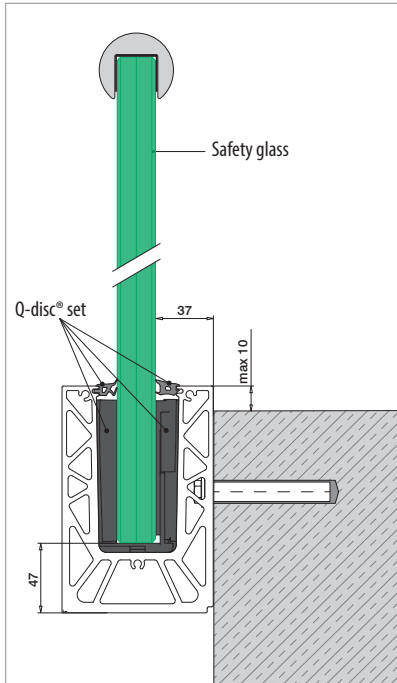
ASSEMBLY GUIDE

168630-0xx-00-xx

Railing base
EASY GLASS® STRONG FASCIA - Base shoe, fascia mount

For adjustable glass fixation

Q-INFO MOD 8630



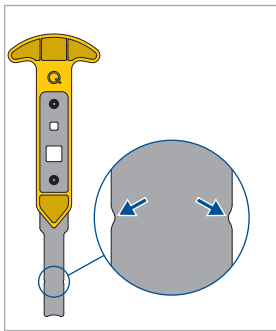
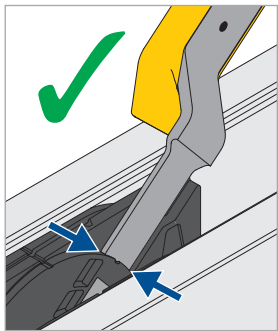
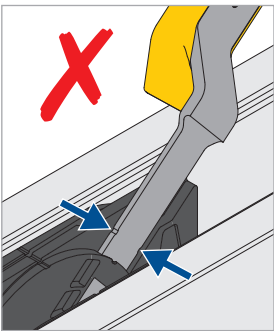
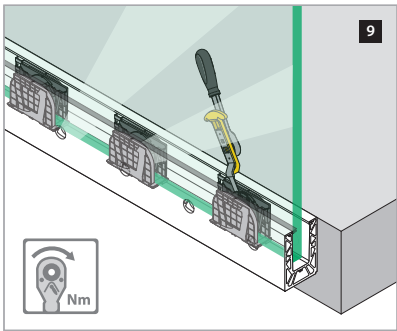


Q-disc® System

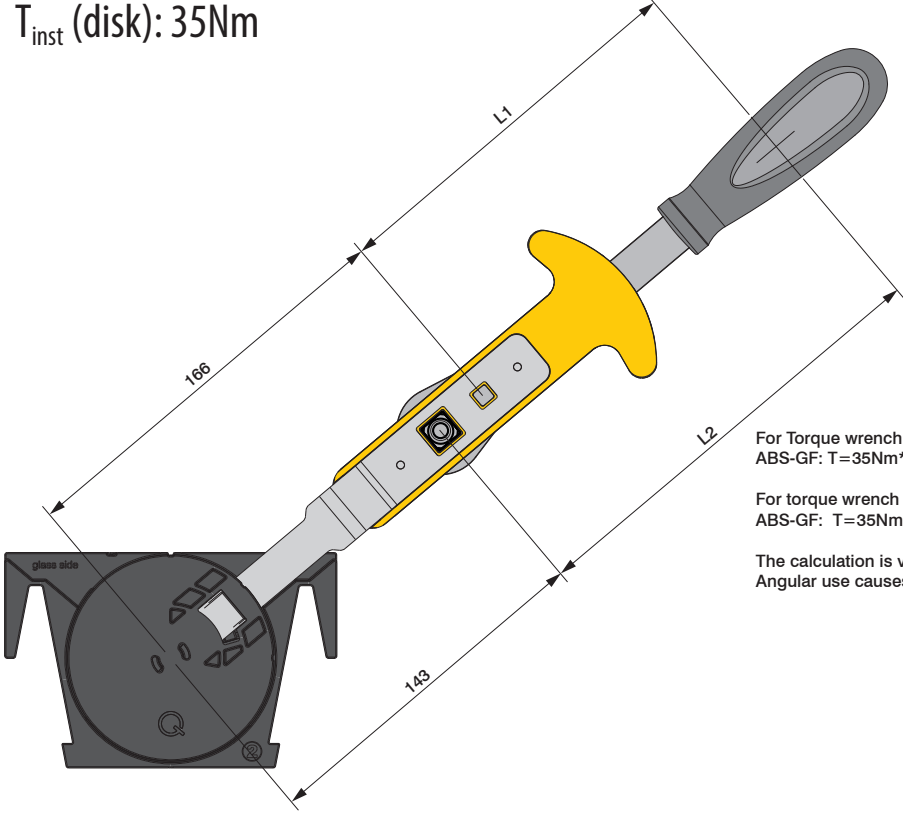
Q-disc and inlay tool

For adjustable glass fixation

Q-INFO MOD 8601 / 1000



T_{inst} (disk): 35Nm



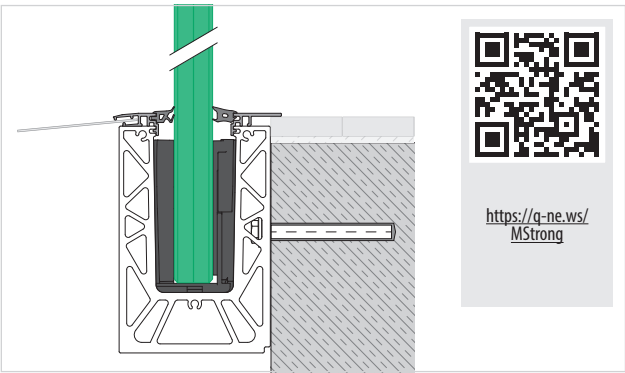
For Torque wrench 1/4":
ABS-GF: $T = 35Nm * L1 / (L1 + 166mm)$

For torque wrench 1/2":
ABS-GF: $T = 35Nm * L2 / (L2 + 143mm)$

The calculation is valid for straight-lined use.
Angular use causes different torque.

Railing base

EASY GLASS® STRONG FASCIA - Trims, fascia mount



<https://q-ne.ws/MStrong>